

in PHASE

INSTALLATION MANUAL

MODEL: XT 64

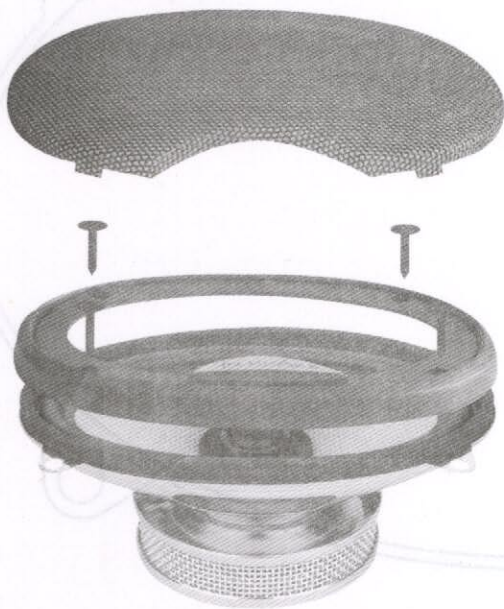
INTRODUCTION

CONGRATULATIONS!

YOU HAVE PURCHASED ONE OF THE FINEST CAR AUDIO PRODUCTS AVAILABLE TODAY.

in PHASE XT-SERIES SPEAKER IS A STATE OF THE ART PRODUCT CAREFULLY DESIGNED & MANUFACTURED FOR VEHICLE USE. AND HAS BEEN THOROUGHLY TESTED TO ENSURE CONSISTENT AND RELIABLE PERFORMANCE.

MOUNTING INSTRUCTIONS



1. Using mounting template for speaker, mark the correct mounting location by a pencil or pen.
2. Cut out the panel by this marking and drill 4 holes for the mounting bolts to pass through.
3. Separate the punching metal from the grill frame.
4. Connect the terminal of speaker to car audio correctly by using cord provided.
(Caution: Be careful not to misconnect polarity)
5. Insert grill frame & speaker Unit in the speaker mounting hole at the rear panel and fix speaker with bolts & screws & nuts provided.
6. Put the punching metal back with the grill frame.

SPECIFICATIONS

XT 64

- .STANDARD 6X4 SIZE 2 WAY COAXIAL CAR SPEAKER
- .BULLET PROOF GLASS FIBRE CONE .
- .1" HIGH GRADE KAPTON VOICE COIL.
- .DIRECTIONAL EYEBALL "PEI" TWETER
- .POWER HANDLING: 160 WATTS MAX.
- .IMPEDANCE: 4 OHMS
- .FREQUENCY RESPONSE: 100Hz-20000Hz
- .SENSITIVITY: 89 dB 1M/1W
- .CHROMATED METAL MAGNET MESH.
- .INCLUDES GRILLS, WIRES ,AND INSTALLATION HARDWARE.

TEMPLATE XT 64

